

# NWA

## ALUVERGE®

# C02G SLATE DRY VERGE

## TECHNICAL DATA SHEET

The Kytun Slate Dry Verge System Type 2 System secures slate applications on gable ends permanently protecting the verge from the elements especially wind uplift and rain.

The design helps protect the edge of the roof from the elements and eliminates the possibility of lifting and damage to the roof underlay. No mortar or timber guides are required. It can be bespoke manufactured to virtually any profile to suit individual requirements.



bre



# C02G/NG/GT/NGT SLATE DRY VERGE

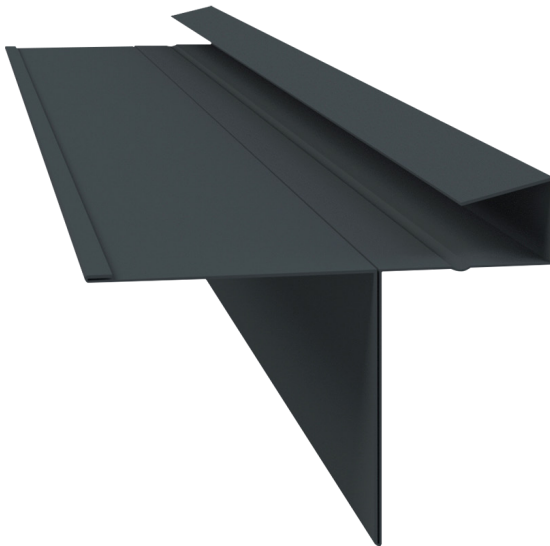
## TECHNICAL DATA SHEET

### Product Details

The Kytun Slate Dry Verge System permanently secures slate applications on gable ends protecting the verge from wind uplift and rain.

The Slate Dry verge System can be used with both interlocking slates and double lap natural or fibre cement slates.

The components are manufactured from polyester coated galvanised steel & plastisol coated galvanised steel which produces textured finish.



### Dimensions

C02G/2NG Steel

C02GT/2NGT Textured Steel

Overall length: 2400mm/3000mm

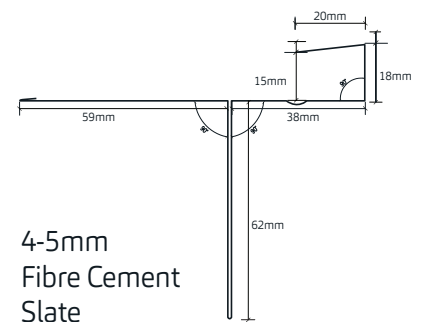
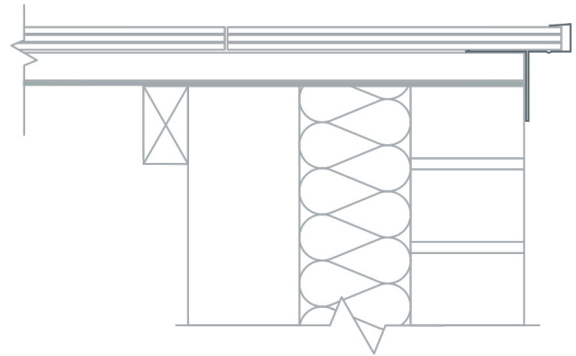
Code	Size	Colour	Pk Qty
C02G	18mm x 2.4m/3m	Blk • Blue/Blk	8
C02NG	25mm x 2.4m/3m	Blk • Blue/Blk	8
C02GT	18mm x 2.4m/3m	Blk • Blue/Blk	8
C02NGT	25mm x 2.4m/3m	Blk • Blue/Blk	8

 Galvanised Steel Polyester Coated

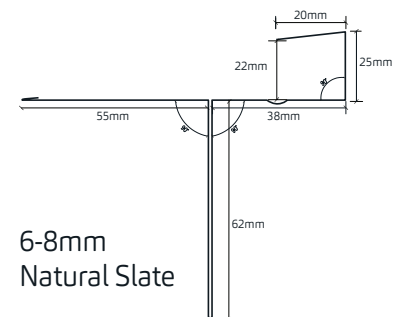
 Galvanised Steel Textured Plastisol Coated

### Product Features

- Provides full wind uplift and rain protection.
- Patented 'Drip System' which allows for self drainage of rain water into the gutter.
- Extremely easy and quick to install.
- Requires no maintenance once installed.
- Can be fully customised.
- Extensive range of colours available.



4-5mm  
Fibre Cement  
Slate



6-8mm  
Natural Slate