

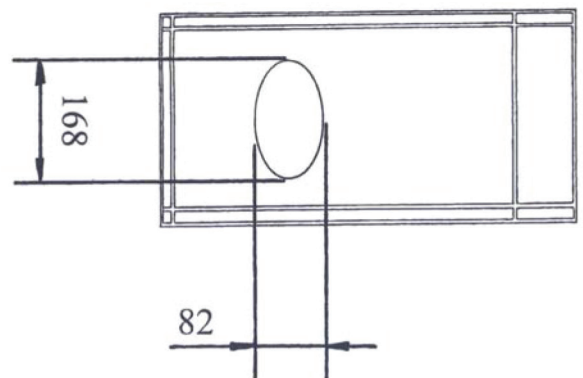
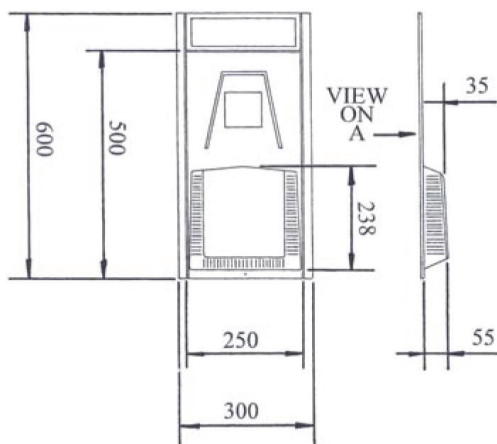
## Product Details

The GRSV30/25R Refurbishment Slate Vent is designed to be retro fitted without the need to cut slate battens. It is manufactured as standard for 600 x 300 slates but can be easily trimmed to fit 500 x 250 slates using the pre marked cut lines.

It can be used for both high and low level roof ventilation requirements.

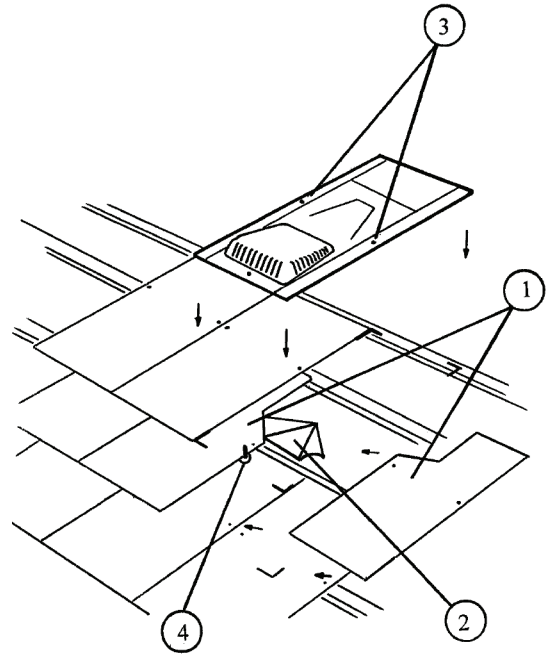
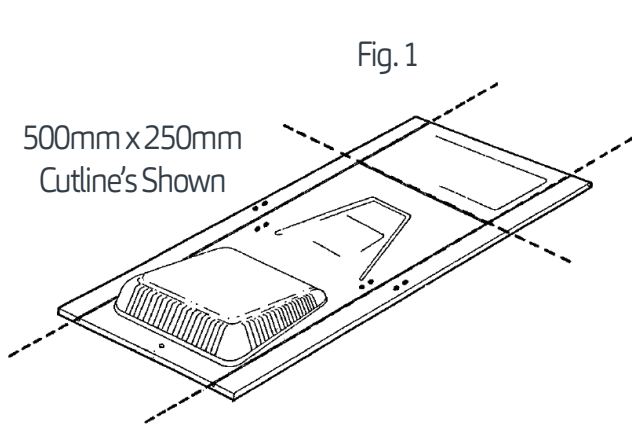
The hood of the GRSV30/25R features a 4mm fly screen to prevent blockage from falling debris and entry of large insects into the roof space.

The GRSV30/25R has been extensively independently wind tunnel tested to the following standards:- BS 6367 Deluge test 225mm/hour rainfall. Driving rain test down to a roof pitch of 15 degrees with an up roof wind speed of 13m/s and a rainfall rate of 200mm/hour to generate a fine penetrative spray.



## Technical

Colour:	Black, lightly textured finish
Packing Details:	Packed in 20's in cardboard box
Weight:	6.4kg per box
Material	Polypropylene
Manufacturing Process	Injection Moulded
Free Airflow	10,000mm <sup>2</sup>



## Fitting Instructions

The GRSV30/25 or GRSV30/25R slate vents take the place of one standard slate.

For 500mm x 250mm slates, trim slate vent along marked lines (fig1).

1. Cut the two slates directly below the slate vent as shown.
2. Cut an inverted "T" in the felt and fold back as shown.
3. Fix slate vent into position using holes provided.
4. Secure front of slate using a copper disc rivet.

A GRPA Flexible Pipe is available for connection to the GRSV30/25 Slate Vent Spigot.

## Technical

PRODUCT CODE	TO ACHIEVE 5mm <sup>2</sup> FREE AIR FLOW THE VENT NEEDS TO BE FITTED AT CENTRES	TO ACHIEVE 10mm <sup>2</sup> FREE AIR FLOW THE VENT NEEDS TO BE FITTED AT CENTRES	TO ACHIEVE 25mm <sup>2</sup> FREE AIR FLOW THE VENT NEEDS TO BE FITTED AT CENTRES
GRSV 30/25	2m	1m	400mm
GRSV 30/25R	2m	1m	400mm