

NWA

ALUVERGE®

C08 TILE DRY VERGE

TECHNICAL DATA SHEET

The Kytun Tile Dry Verge System permanently secures tiles on gable ends and gives an attractive maintenance free finish to the roofline.

The design helps protect the edge of the roof from the elements and eliminates the possibility of lifting and damage to the roof underlay. No mortar or timber guides are required. It can be bespoke manufactured to virtually any profile to suit individual requirements.

All our bespoke dry verge is manufactured from 0.7mm high grade Aluminium.



bre



C08 TILE DRY VERGE

TECHNICAL DATA SHEET

Product Details

The Kytun Tile Dry Verge System permanently secures tiles on gable ends and gives an attractive maintenance free finish to the roofline. It provides a neat, continuous and totally weatherproof finish to the gable.

The pvc system is available in Black. Integral patented drip system channels water to the eaves. The components are manufactured from high grade powder coated Aluminium.

Product Features

- Provides full wind uplift and rain protection.
- Patented 'Drip System' which allows for self drainage of rain water into the gutter.
- Extremely easy and quick to install.
- Requires no maintenance once installed.
- Can be fully customised.
- Extensive range of colours available.

Compatibility

Fully compatible with most tiles on the market. Suitable for brick, render & bargeboard construction.

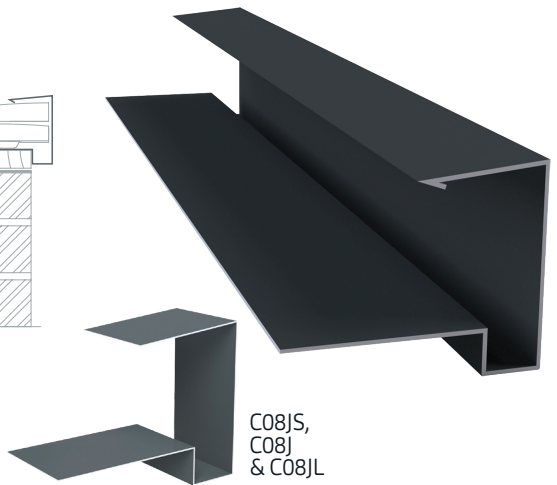
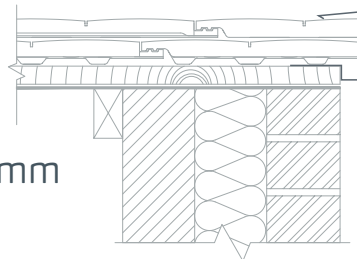
50mm Version: Suitable for a maximum individual tile thickness of 25mm.

65mm Version: Suitable for a maximum individual tile thickness of 32mm.

Dimensions

C08/C08S/C08L - Aluminium

Overall length: 2400mm & 3000mm



C08JS,
C08J
& C08JL

Code	Size	Colour	Pk Qty
C08S	50mm x 2.4m/3m	Blk • Blue/Blk • Brwn • Wht	4
C08	65mm x 2.4m/3m	Blk • Blue/Blk • Brwn • Wht	4
C08L	85mm x 2.4m/3m	Blk • Blue/Blk • Brwn • Wht	4
C08JS	50mm (Joiner)	Blk • Blue/Blk • Brwn • Wht	1
C08J	65mm (Joiner)	Blk • Blue/Blk • Brwn • Wht	1
C08JL	85mm (Joiner)	Blk • Blue/Blk • Brwn • Wht	1

